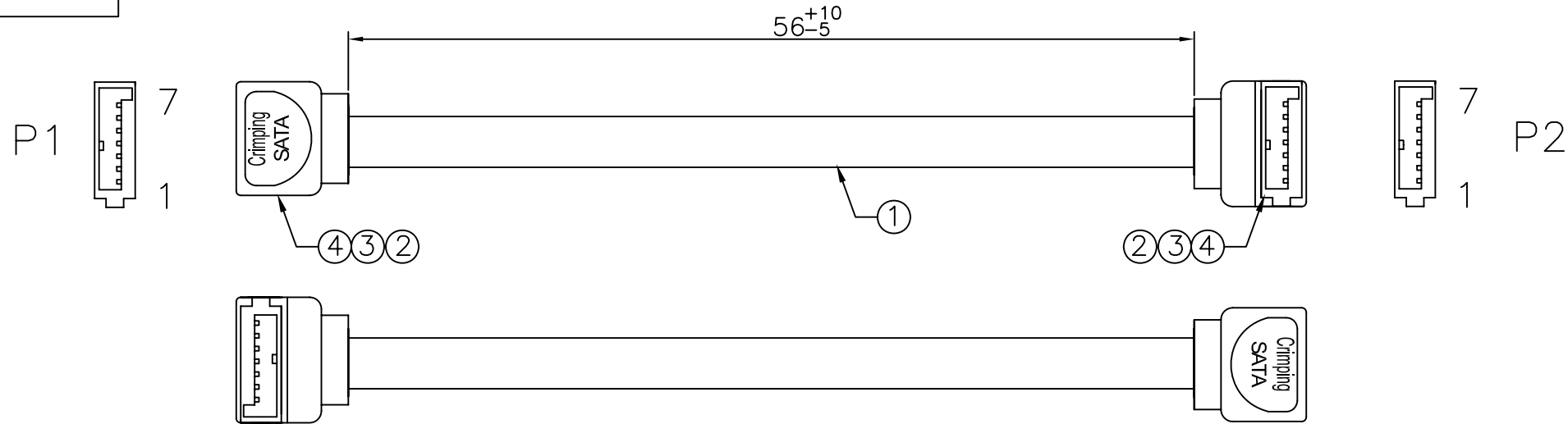


REV	DESCRIPTION	MEMO
1.0	INITIAL DESIGN	DEC.29,2010

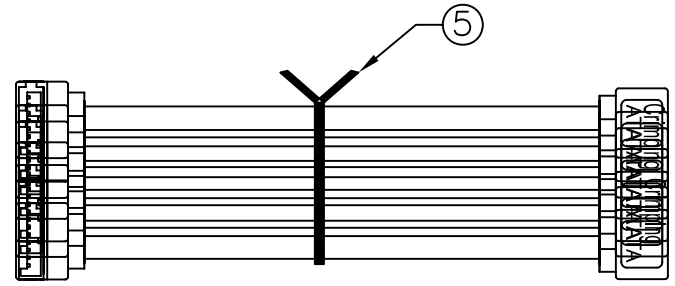
ROHS



PIN ASSIGNMENT

P1	COLOR	P2
1	DRAIN WIRE	1
2		2
3	DRAIN WIRE	3
4	DRAIN WIRE	4
5		5
6	DRAIN WIRE	6
7		7

NOTES:
 1. 100% OPEN, SHORT, MISS-WIRE TEST.
 2. TEST CONDITION:
 INSULATION RESISTANCE: 20M ohm
 CONDUCTIVE RESISTANCE: 2 ohm
 HI-POT: 300V DC/10ms
 3. THE PRODUCT IS ROHS COMPLIANT.



包装：每10PCS用白色扎带扎成一把

5	PE TIE	PE TIE WHITE	1PCS
4	INSIDE MOLD	PE LOW DENSITY TRANSPARENT	N/A
3	OUTER MOLD	35P PVC COLOR:BLACK	N/A
2	CONNECTOR	SATA 7P/F CRIMPING TYPE PHOSPHOR BRONZE G/F BLACK	2PCS
1	CABLE	SATA CABLE UL2725 30AWG*8C CABLE OD:1.8*5.7MM COLOR:RED	N/A
NO.	ITEM	DESCRIPTION	Q'TY

THIRD ANGLE PROJECTION		DRAWING APPROVAL		EBE TECHNOLOGY (HK) LIMITED	
		DWN:		CUS. P/N: WG117060002	
		CHK:			
TOLERANCES UNLESS OTHERWISE SPECIFIED ONE PLACE DECIMAL .X ±0.4 TWO PLACE DECIMAL .XX ±0.2 THREE PLACE DECIMAL .XXX N/A HOLE DIA. VARIATION .XX N/A ANGULAR DIMENSION (ENG) N/A		APPD:		GRK P/N:	
		SIZE: A4	UNIT: mm	ITEM: SATA 7P 90° TO SATA 7P 90° L=56MM	
SCALE:		SHEET: 1 of 1		CUS,REV: A	GRK REV: 1.0